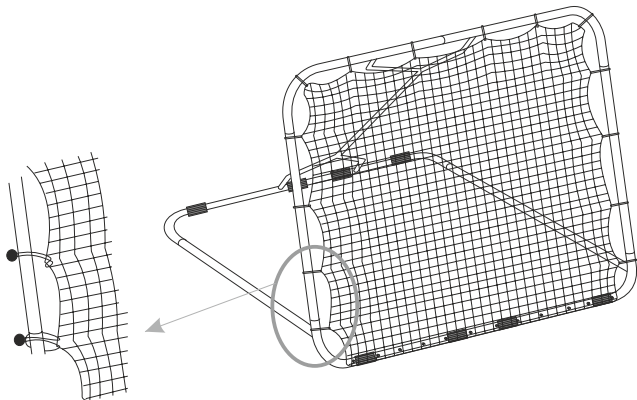


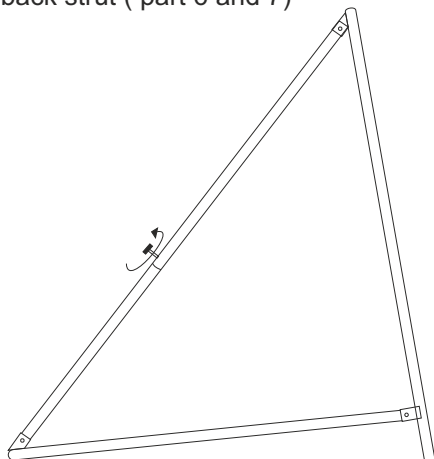
4

To attach net first fit the net to the bottom of the frame. Attach the rest of the net using bungee ties ensuring they are spread around the frame evenly



5

Adjust the angle of the Rebounder using the adjuster screw on the back strut (part 6 and 7)



Always inspect frame and net for defects before use and repair damaged parts.
Do not use frame with faulty parts.
Never climb on the net or frame.
Please adhere to safety instructions at all times.



@NetWorldSports

www.networldsports.co.uk // +44 (0) 1691 683 807 // cs@networldsports.co.uk

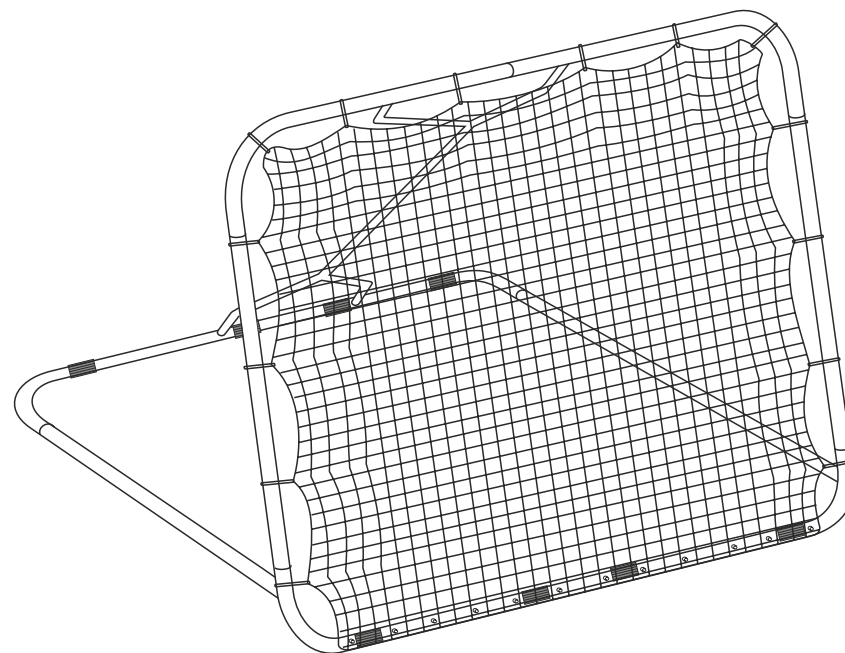
www.networldsports.com // 1-866-861-9095 // cs@networldsports.com



RAPIDFIRE

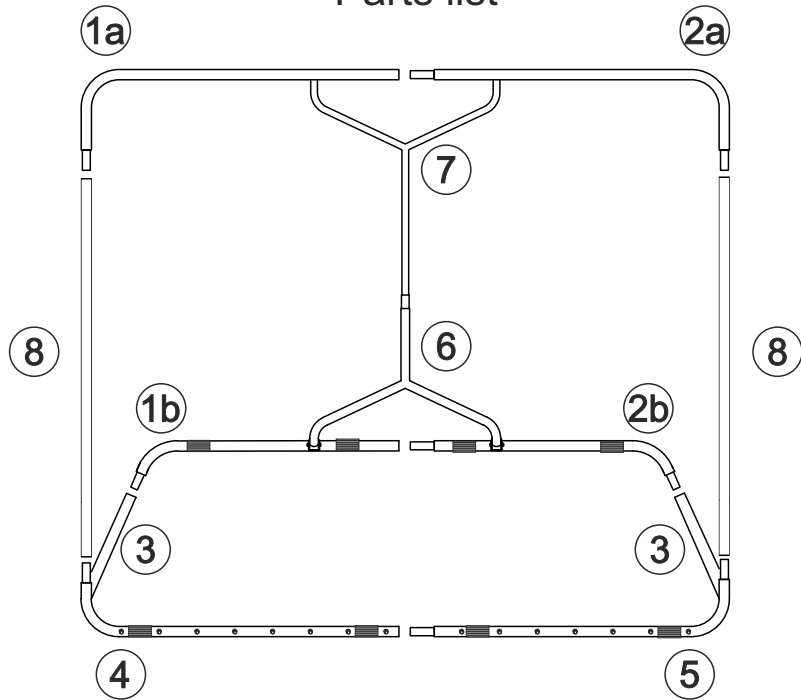
Mega Rebounder

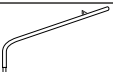


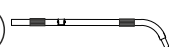



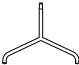
1.5m x 1.8m

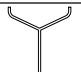



NET WORLD SPORTS

Parts list

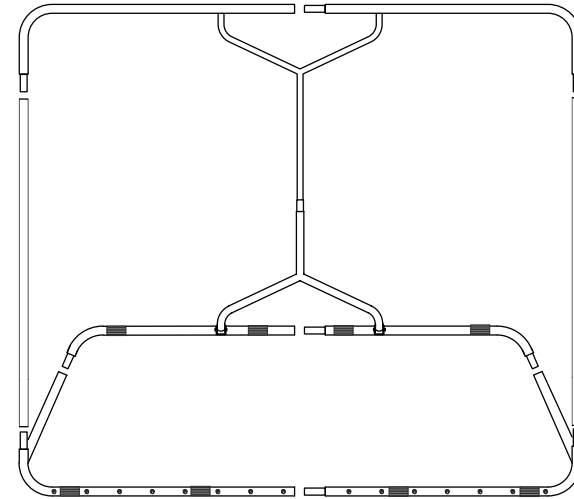


ITEM	QTY
1a 	x1
2a 	x1
1b 	x1
2b 	x1
3 	x2
4 	x1
5 	x1
6 	x1

ITEM	QTY
7 	x1
8 	x2
Bungee tie	x1 set
Nuts and bolts	x1 pack
Net	x1

1 Lay out the parts and check they are correct and there are no defects.

2 Assemble the frame according to the diagram below, tighten the nuts with the spanner and allen key provided.



3 fit net bolts through each hole in the frame with the orange spacer on the out side of the frame. tighten using allen key. be careful not to crush the spacer.

