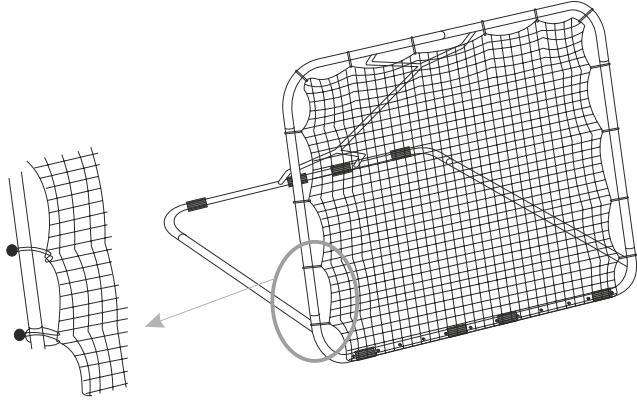


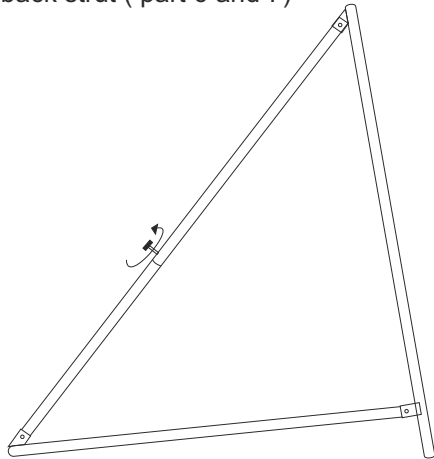
4

To attach net first fit the net to the bottom of the frame. Attach the rest of the net using bungee ties ensuring they are spread around the frame evenly



5

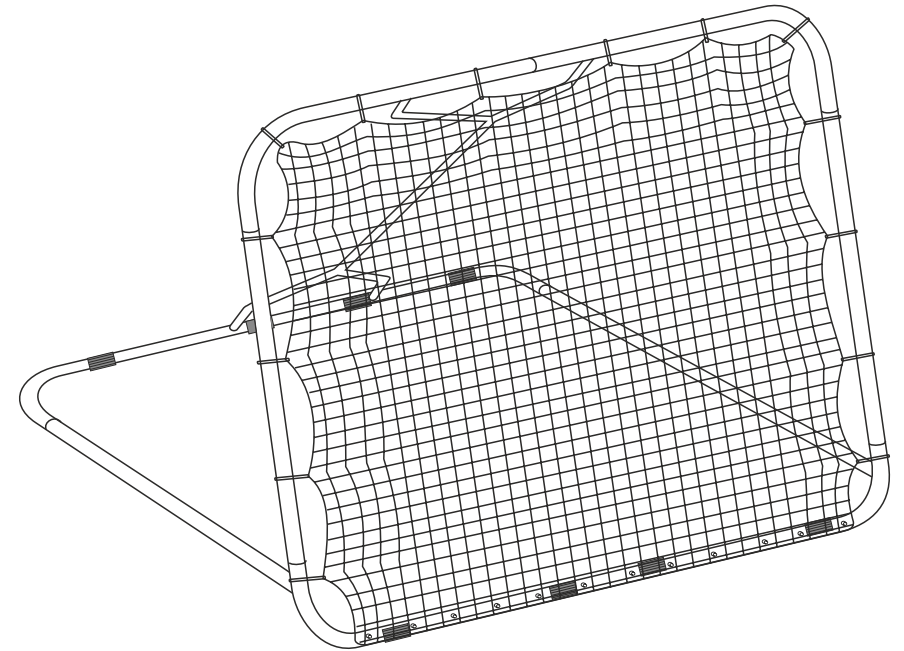
Adjust the angle of the Rebounder using the adjuster screw on the back strut ( part 6 and 7)



# **RAPIDFIRE**

## Mega Rebounder

2.1m x 2.4m



**i**

Always inspect frame and net for defects before use and repair damaged parts.  
Do not use frame with faulty parts.  
Never climb on the net or frame.  
Please adhere to safety instructions at all times.

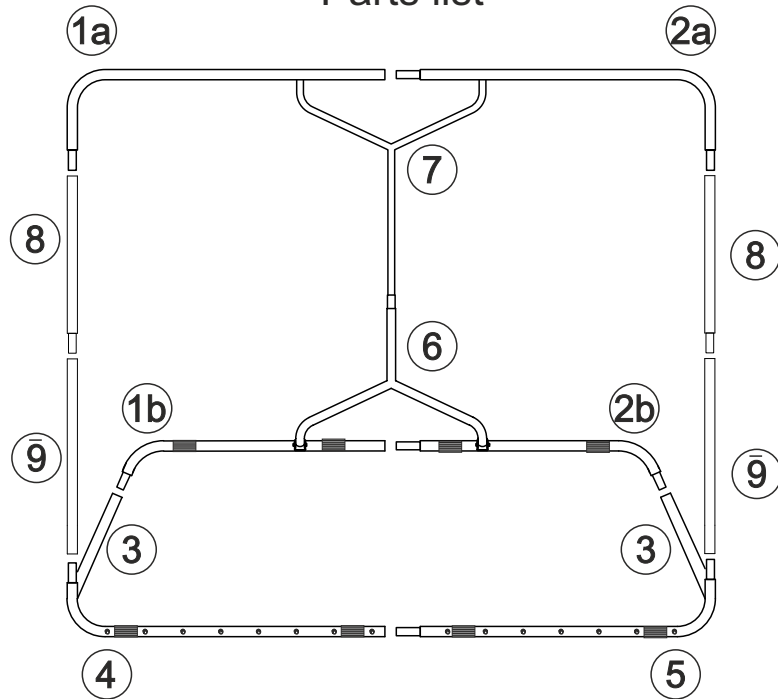
    @NetWorldSports

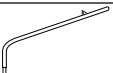


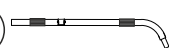



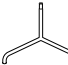
[www.networldsports.co.uk](http://www.networldsports.co.uk) // +44 (0) 1691 683 807 // [cs@networldsports.co.uk](mailto:cs@networldsports.co.uk)

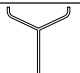


[www.networldsports.com](http://www.networldsports.com) // 1-866-861-9095 // [cs@networldsports.com](mailto:cs@networldsports.com)

**NET WORLD SPORTS** 

## Parts list

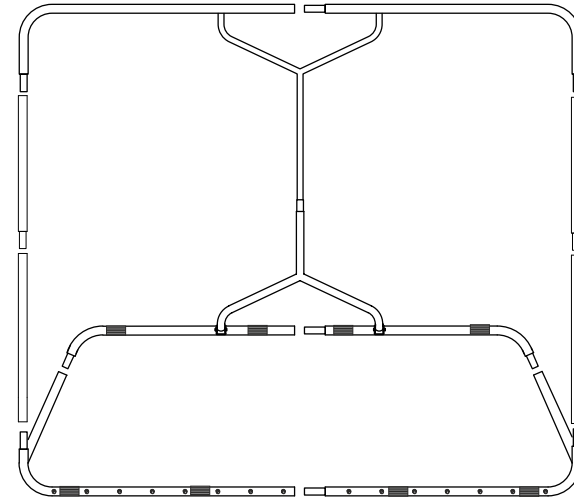


| ITEM   | QTY |
|--|-----|
| 1a    | x1  |
| 2a  | x1  |
| 1b  | x1  |
| 2b  | x1  |
| 3   | x2  |
| 4   | x1  |
| 5   | x1  |
| 6   | x1  |

| ITEM  | QTY     |
|---|---------|
| 7    | x1      |
| 8  | x2      |
| 9  | x2      |
| Bungee tie  | x1 set  |
| Nuts and bolts  | x1 pack |
| Net   | x1      |

**1** Lay out the parts and check they are correct and there are no defects.

**2** Assemble the frame according to the diagram below, tighten the nuts with the spanner and allen key provided.



**3** fit net bolts through each hole in the frame with the orange spacer on the out side of the frame. tighten using allen key. be careful not to crush the spacer.

