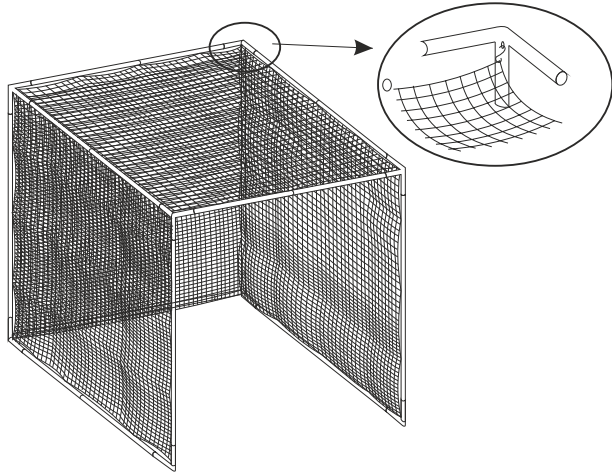
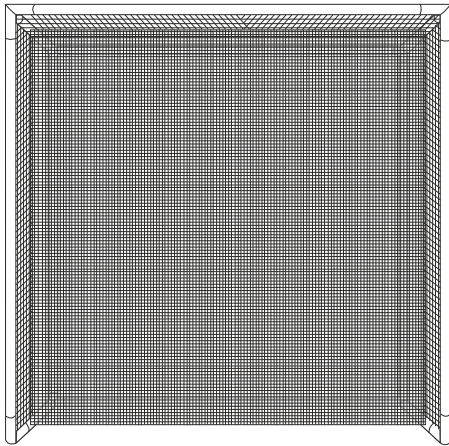


- 6** Attach the cage net to the inside of the frame using the hooks on the net and frame. Use bungee straps to secure net to posts.



- 7** Fix the Impact Panel to the roof of the net approximately 1ft from the back, using the Ties provided. The panel can then be left to hang free or attached to the side netting.



Always inspect cage and net for defects before use and repair damaged parts.
Do not use cage with faulty parts.
Never climb on the net or cage frame. The cage must never be used without the net fitted.
Please adhere to safety instructions at all times.

    @NetWorldSports

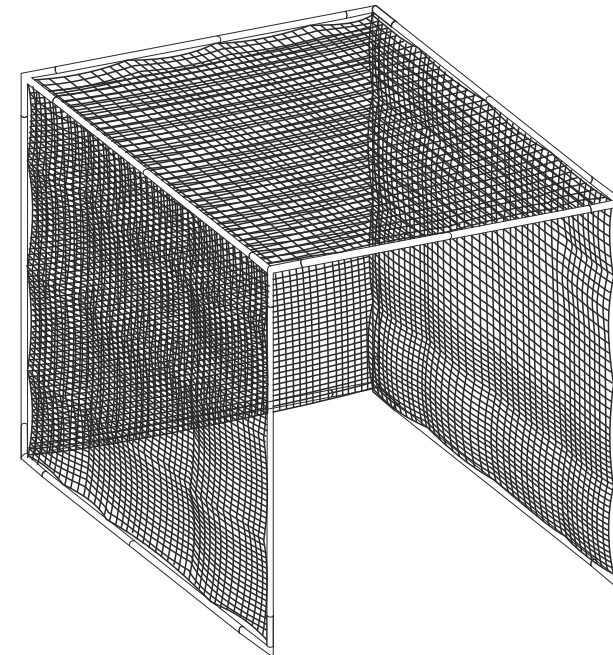
www.networldsports.co.uk // +44 (0) 1691 683 807 // cs@networldsports.co.uk

www.networldsports.com // 1-866-861-9095 // cs@networldsports.com

FORB

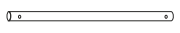

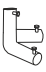

GOLF

10ft x 10ft x 10ft FREESTANDING GOLF CAGE & NET -
HOME DRIVING RANGE



NET WORLD SPORTS»

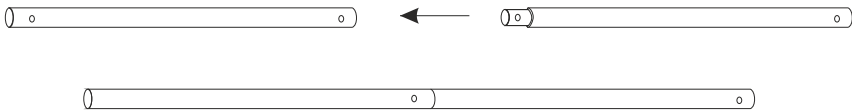
Parts list

ITEM	QTY
	x11
	x11
	x6
	x2

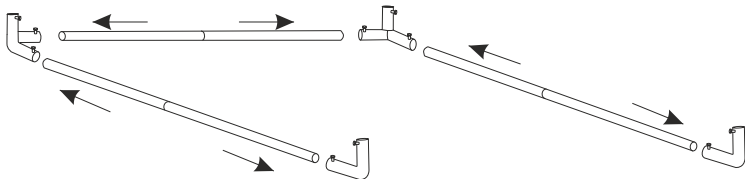
ITEM	QTY
10ftx10ftx10ft Golf net	x1
Impact net	x1
Accessories	x1 set

1 Lay out steel poles and corner pieces.
Check all parts match the parts list and there are no defects.

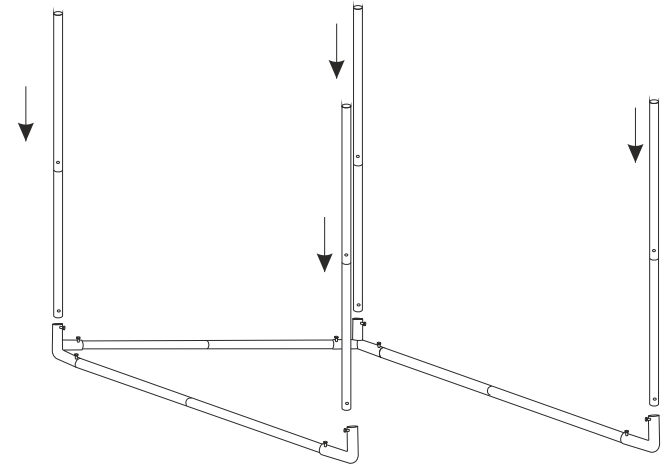
2 Connect steel bars together to create 11 full size posts



3 Assemble the bottom part of the frame using 2x 3way connectors, 2x 2way connector and 3 x assembled posts. Tighten securing bolts



4 Place 1 post into each of the corner connectors, tighten securing bolts



5 Assemble top of the frame using the remaining corner connectors and posts.

