

4 Adjust the net, to make sure your ProCourt is ready for your desired sport.

Diagram 1 - Tennis

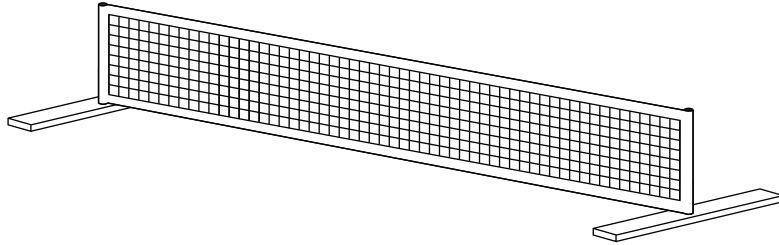
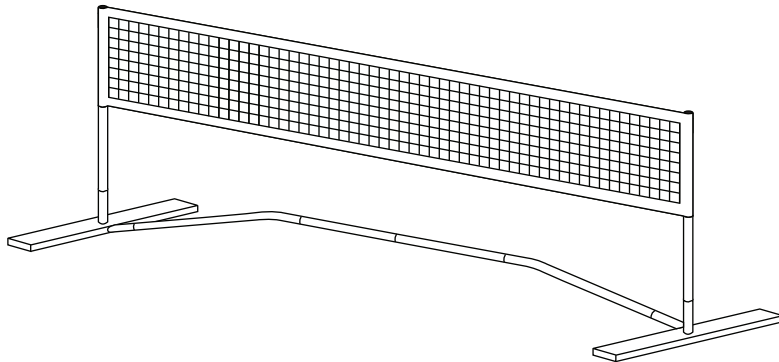
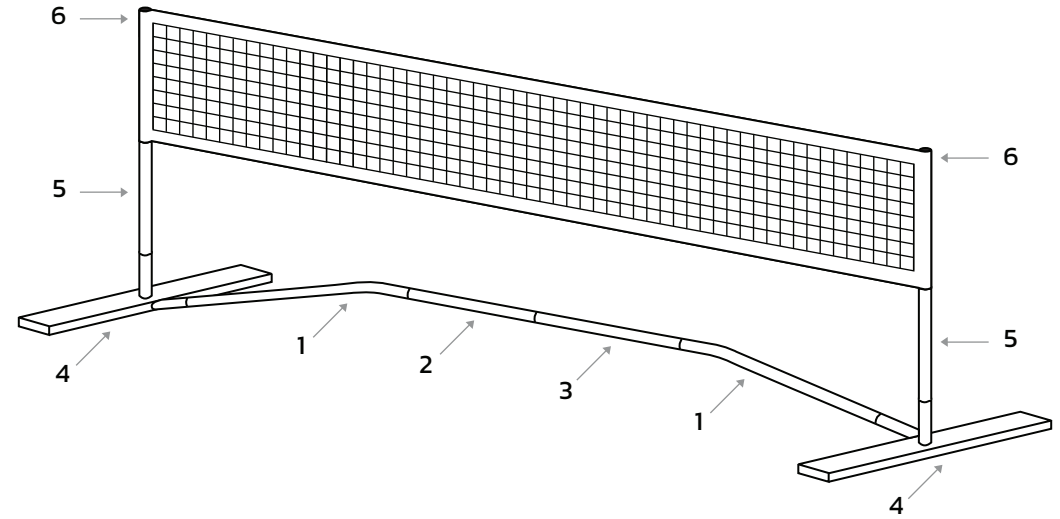


Diagram 2 - Badminton




VERMONT
PROCOURT *MINI 10*



PART NO	1	2	3	4	5	6	CARRY BAG	NET
QTY	x2	x1	x1	x2	x2	x2	x1	x1





 @NetWorldSports

www.networldsports.co.uk // +44 (0) 1691 683 807 // cs@networldsports.co.uk

www.networldsports.com // 1-866-861-9095 // cs@networldsports.com

NET WORLD SPORTS 

1 Lay out all components, ensuring they match the parts list.

2 Assemble the frame, for tennis, connect all parts as directed in diagram 1. For badminton, follow diagram 2.

3 Install net by sliding onto the posts. For easier assembly, tilt the posts inward a little to reduce net tension. Follow diagram 1 for tennis or follow diagram 2 for badminton.

Diagram 1 - Tennis

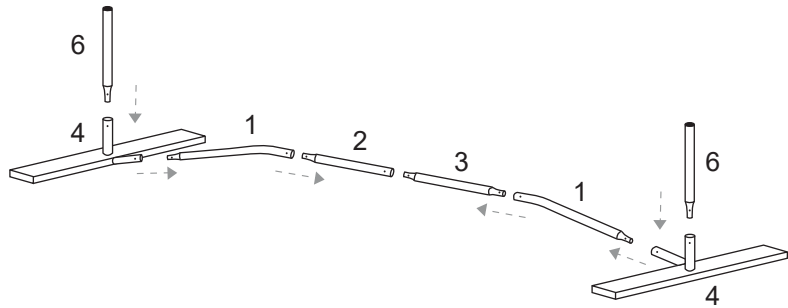


Diagram 1 - Tennis

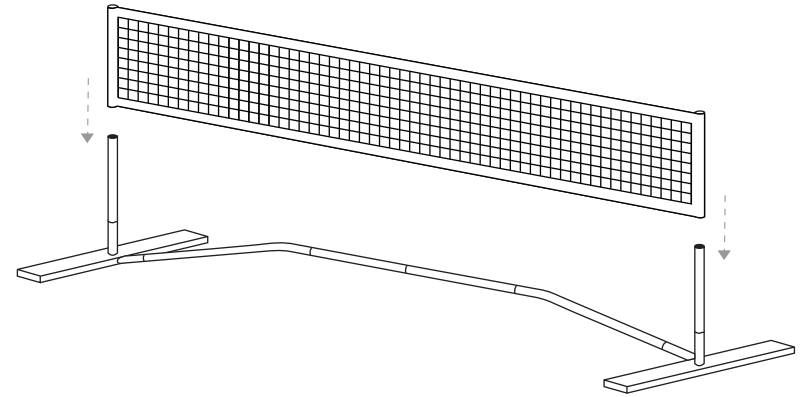


Diagram 2 - Badminton

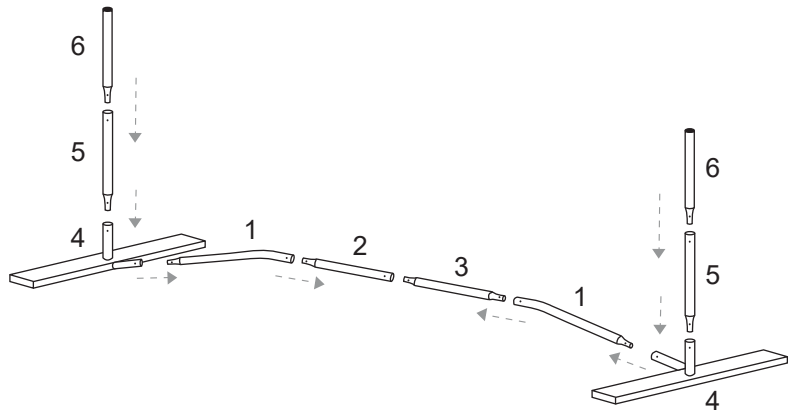


Diagram 2 - Badminton

